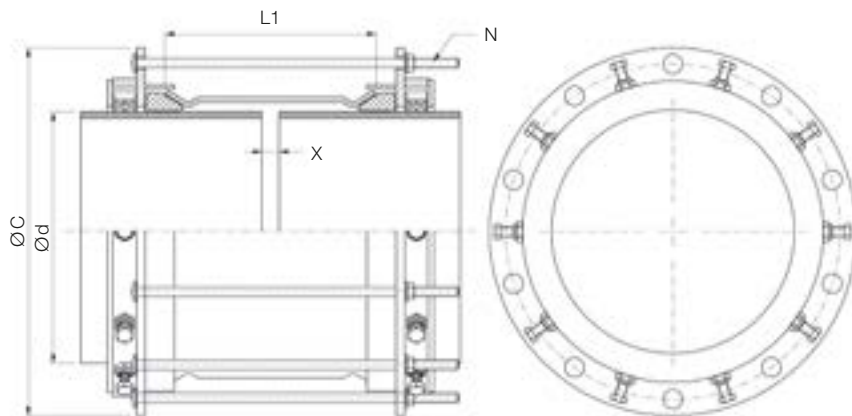


# MULTIGRIP MGR-S PN10

## SINGLE BOLT COUPLING



### PN 10 RATED HYDRAULIC SEALING AND END RESTRAINT SYSTEM

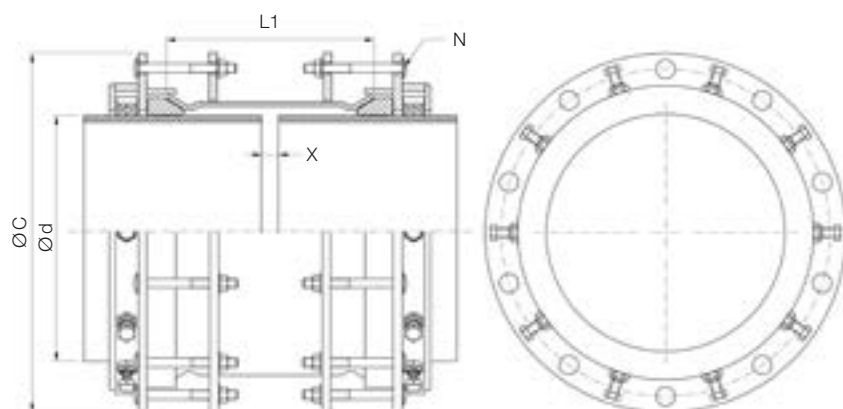
Other sizes or ranges on request

DN	Ød		L1	Max. External Dimension ØC	Compression Bolts Quantity N	Gap X		Weight	
	Min.	Max.				Max.	Min.		
350	340	370	355	560	9	220	25	101	
	360	390		580				105	
400	385	415		600				110	
	415	445		640				117	
450	440	470		660	12			131	
	465	495		680				136	
500	490	520		720	14			142	
	515	545		740				148	
	545	575		788				159	
600	595	625		808	15			171	
	615	645		828				175	
700	695	725		908	18			196	
	720	750		933				224	
800	785	815		998				20	239
	795	825		1008					241
	825	855		1038	277				
900	885	915		1098	22			292	
	900	930		1113				296	
1000	930	960		1143	24			308	
	985	1015		1198				322	
	1000	1030	1213	326					
1100	1030	1060	1243	30	359				
	1100	1130	1313		378				
	1135	1165	1348		403				
1200	1185	1215	1398	32	418				
	1205	1235	1418		423				
	1240	1270	1453		438				
1400	1385	1415	1598	-	-				
	1405	1435	1618		-				
	1445	1475	1658		-				

The data concerning the min. and max. gap is calculated on the minimum outside diameter of the product's range. This chart is for indicative purposes. Nova Siria srl can vary the indicated standards (tolerance range, dimensions and materials) according to specifications requested by Customers or to designing needs. NOVA SIRIA end restraint fittings are suitable for the following pipes: steel, ci/DI, PE, pressure PVC. All end restraint fittings installed on pe Or pressure PVC Pipes must be integrated with an internal reinforcing liner provided or approved by noVA SIRIA.

# MULTIGRIP MGR-D PN10

## DOUBLE BOLT COUPLING



### PN 10 RATED HYDRAULIC SEALING AND END RESTRAINT SYSTEM

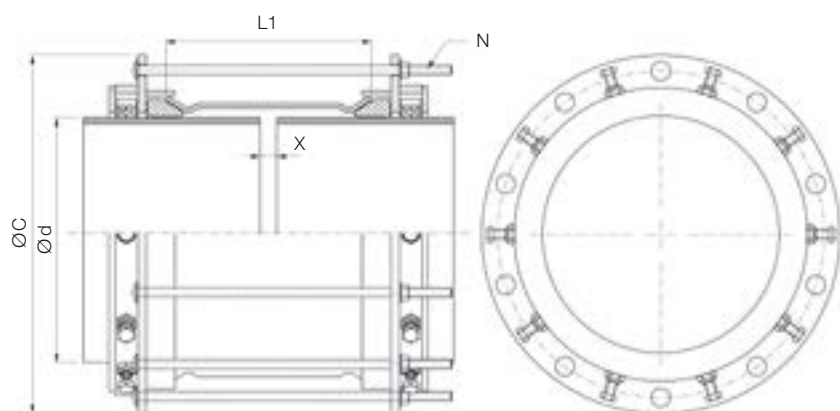
Other sizes or ranges on request

DN	Ø d		L1	Max. External Dimension Ø C	Compression Bolts	Gap X		Weight	
	Min.	Max.			Quantity N	Max.	Min.		
350	340	370	355	560	18	220	25	127	
	360	390		580				133	
400	385	415		600				144	
	415	445		640				148	
450	440	470		660				24	163
	465	495		680					170
500	490	520		720	177				
	515	545		740	184				
560	545	575		788	28			207	
	600	595		625	808			30	222
615		645		828	228				
700	695	725		908	36			254	
	720	750		933				284	
800	785	815		998				40	304
	795	825		1008					307
	825	855		1038					347
900	885	915		1098				44	367
	900	930		1113	372				
1000	930	960	1143	48	386				
	985	1015	1198		404				
	1000	1030	1213		409				
1100	1030	1060	1243	60	447				
	1100	1130	1313		471				
	1135	1165	1348		499				
1200	1185	1215	1398	64	517				
	1205	1235	1418		525				
	1240	1270	1453		542				
1400	1385	1415	1598	64	-				
	1405	1435	1618		-				
	1445	1475	1658		-				

The data concerning the min. and max. gap is calculated on the minimum outside diameter of the product's range  
 This chart is for indicative purposes. Nova Siria srl can vary the indicated standards (tolerance range, dimensions and materials) according to specifications requested by Customers or to designing needs.  
 NOVA SIRIA end restraint fittings are suitable for the following pipes: steel, ci/DI, PE, pressure PVC.  
 All end restraint fittings installed on pe Or pressure PVC Pipes must be integrated with an internal reinforcing liner provided or approved by noVA SIRIA.

# MULTIGRIP MGR-S PN16

## SINGLE BOLT COUPLING



### PN 16 RATED HYDRAULIC SEALING AND END RESTRAINT SYSTEM

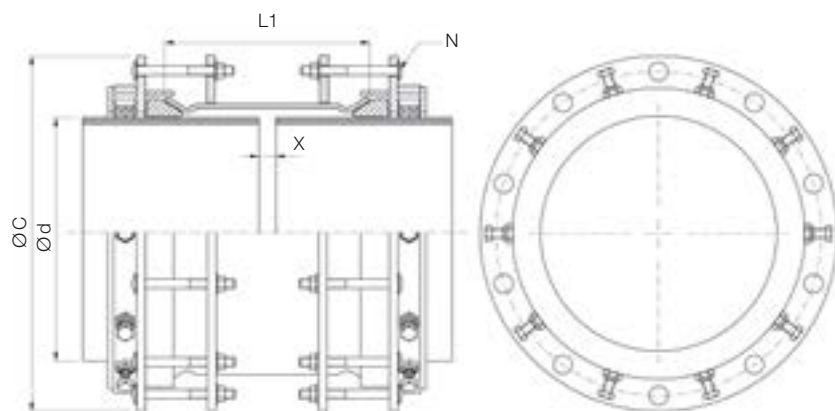
Other sizes or ranges on request

DN	Ød		L1	Max. External Dimension ØC	Compression Bolts	Gap X		Weight
	Min.	Max.			Quantity N	Max.	Min.	
350	340	370	355	560	9	220	25	119
	360	390		580				124
400	385	415		600				130
	415	445		640				139
450	440	470		660	12			153
	465	495		680				159
500	490	520		720				166
	515	545		740				173
	545	575		788	14			181
600	595	625		808	15			192
	615	645		828				197
700	695	725		908	18			235
	720	750		933				245
800	785	815		998				262
	795	825		1008				265
	825	855		1038	285			
900	885	915	1098	20	301			
	900	930	1113		305			
1000	930	960	1143		345			
	985	1015	1198		361			
	1000	1030	1213	22	366			
1100	1030	1060	1243	24	380			
	1100	1130	1313		-			
	1135	1165	1348		-			
1200	1185	1215	1398	30	-			
	1205	1235	1418		-			
	1240	1270	1453		-			
1400	1385	1415	1598	32	-			
	1405	1435	1618		-			
	1445	1475	1658		-			

The data concerning the min. and max. gap is calculated on the minimum outside diameter of the product's range  
 This chart is for indicative purposes. Nova Siria srl can vary the indicated standards (tolerance range, dimensions and materials) according to specifications requested by Customers or to designing needs.  
 NOVA SIRIA end restraint fittings are suitable for the following pipes: steel, ci/DI, PE, pressure PVC.  
 All end restraint fittings installed on pe Or pressure PVC Pipes must be integrated with an internal reinforcing liner provided or approved by noVA SIRIA.

# MULTIGRIP MGR-D

## DOUBLE BOLT COUPLING



### PN 16 RATED HYDRAULIC SEALING AND END RESTRAINT SYSTEM

Other sizes or ranges on request

DN	Ød		L1	Max. External Dimension ØC	Compression Bolts	Gap X		Weight	
	Min.	Max.			Quantity N	Max.	Min.		
350	340	370	355	560	18	220	25	156	
	360	390		580				163	
400	385	415		600				172	
	415	445		640				182	
450	440	470		660				24	199
	465	495		680					207
500	490	520		720	28				216
	515	545		740					225
560	545	575		788	30			228	
600	595	625		808				36	244
	615	645		828	250				
700	695	725		908	40			295	
	720	750		933				307	
800	785	815		998				44	329
	795	825		1008					332
	825	855		1038					355
900	885	915		1098				48	376
	900	930		1113	381				
1000	930	960	1143	60	425				
	985	1015	1198		446				
	1000	1030	1213		451				
1100	1030	1060	1243	64	465				
	1100	1130	1313		-				
	1135	1165	1348		-				
1200	1185	1215	1398	-	-				
	1205	1235	1418		-				
	1240	1270	1453		-				
1400	1385	1415	1598	-	-				
	1405	1435	1618		-				
	1445	1475	1658		-				

The data concerning the min. and max. gap is calculated on the minimum outside diameter of the product's range

This chart is for indicative purposes. Nova Siria srl can vary the indicated standards (tolerance range, dimensions and materials) according to specifications requested by Customers or to designing needs.

NOVA SIRIA end restraint fittings are suitable for the following pipes: steel, ci/DI, PE, pressure PVC.

All end restraint fittings installed on pe Or pressure PVC Pipes must be integrated with an internal reinforcing liner provided or approved by noVA SIRIA.