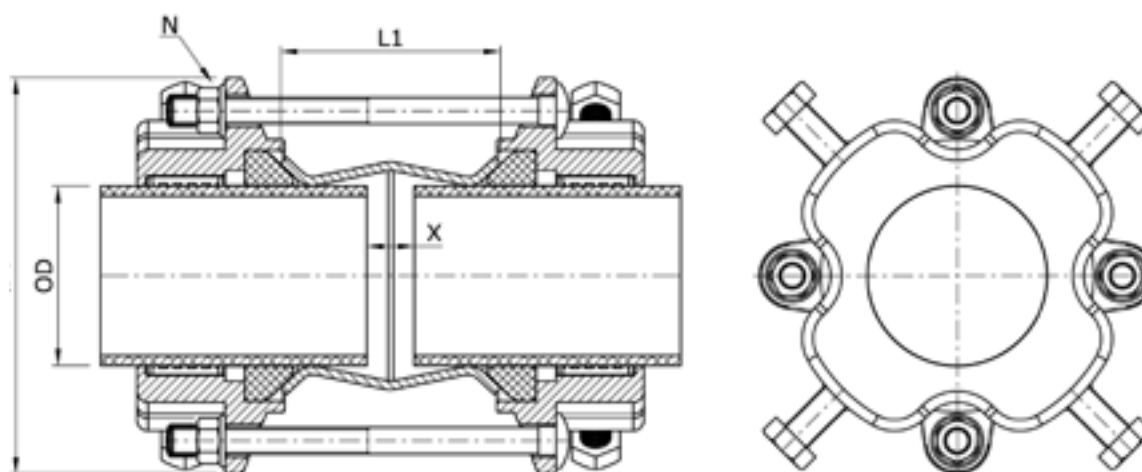


SMART JOINT

SMART SERIES STRAIGHT COUPLINGS WITH END RESTRAINT SYSTEM



DN	ØD		L1	ØC	Bolts Quantity	Gap X		Weight
	Min.	Max.				Max	Min.	
50	58	74	102	170	4	40	12	8,04
65	68	84		183				8,82
80	84	105		210				11,1
100	99	118		223				12,3
	109	133		244				12,62
125	133	157	268	14				
150	157	182	118	296	50	12	17,74	
	177	201		314			17,92	
200	194	215	140	322	6	60	17,7	
	218	242		354			21,34	
225	242	268	403	27,88				
250	266	291	162	405	6	60	39,86	
	280	305		424			40,96	
300	302	327	443	44,5				

The data concerning the min. and max. gap is calculated on the minimum outside diameter of the product's range

NOVA SIRIA end restraint fittings are suitable for the following pipes: steel, CI/DI, PE, pressure PVC.

All end restraint fittings installed on PE or pressure PVC pipes must be integrated with an internal reinforcing liner provided or approved by NOVA SIRIA.

NOTES

